

## inline minifilter

Easy maintenance, for filtering Hot Melt impurities.

### PRODUCT DESCRIPTION

The Meler inline mini-filter is used to remove Hot-Melt impurities before they reach the gun nozzles.

It is installed between the gun and hose and consists of a threaded body which is attached to the gun, a filter cartridge and a connector, available in three different configurations, which is connected to the hose.

The Meler inline mini-filter is appropriate for operation with nozzles with a diameter under 0.4 mm, in rolling guns up to 50 mm or in any other application that requires removing residual impurities from the system or from hot-melt.

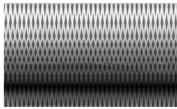
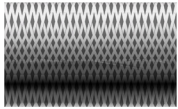
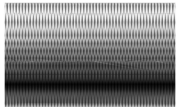



### Design characteristics:

1. The filter cartridge can be replaced without the need to remove the unit from the hose or gun.
2. Easy to replace filter cartridge: unscrew and remove.
3. Modular configuration to suit any assembly need with different angle.
4. Stick-proof coating ensures easy cleaning.
5. Filter cartridges are easily identifiable by etched markings on the upper part.

### TECHNICAL CHARACTERISTICS

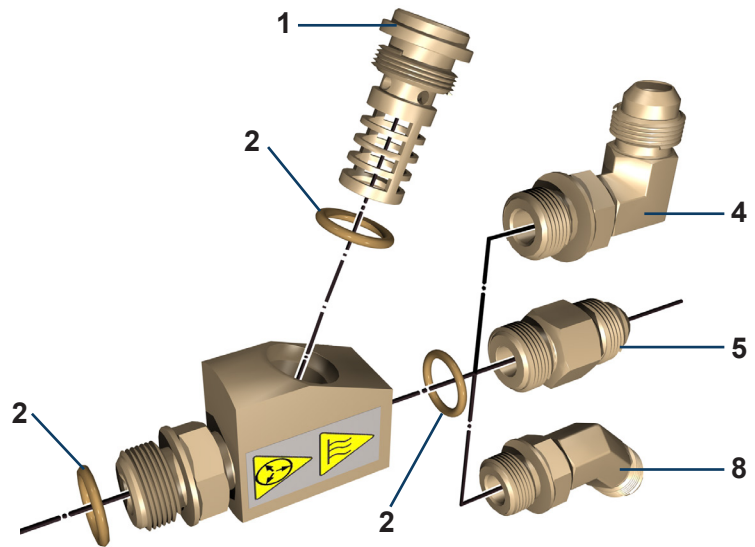
Material .....	stainless steel
Filtering range .....	50, 100, 200 Mesh
Maximum pressure .....	200 Kg/cm <sup>2</sup>
Maximum working temperature .....	230°C
Maximum recommended viscosity .....	10.000 cps
External coat .....	anti-adhesive
Weight .....	160 grs.
Thread .....	9/16" 18h UNF

## PRODUCT RANGE

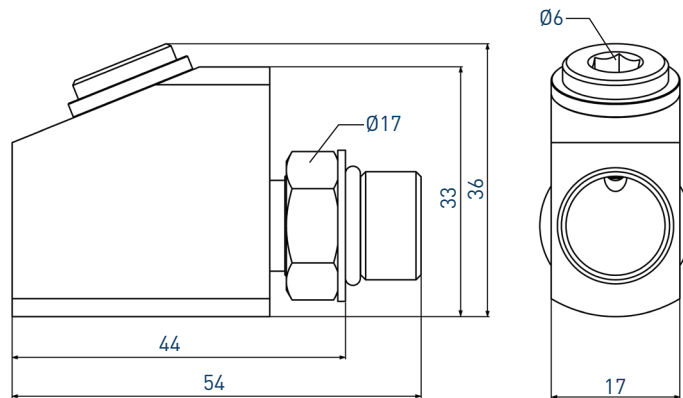
	50 Mesh (0,30 mm)	100 Mesh (0,15 mm)	200 Mesh (0,07 mm)
			
	Inline minifilter straight fitting 50 Mesh <b>Ref: 26000013</b>	Inline minifilter straight fitting 100 Mesh <b>Ref: 26000014</b>	Inline minifilter straight fitting 200 Mesh <b>Ref: 26000015</b>
	Inline minifilter 45° fitting 50 Mesh <b>Ref: 26000016</b>	Inline minifilter 45° fitting 100 Mesh <b>Ref: 26000017</b>	Inline minifilter 45° fitting 200 Mesh <b>Ref: 26000018</b>
	Inline minifilter 90° fitting 50 Mesh <b>Ref: 26000019</b>	Inline minifilter 90° fitting 100 Mesh <b>Ref: 26000020</b>	Inline minifilter 90° fitting 200 Mesh <b>Ref: 26000021</b>

## ACCESSORIES

1+2	26000022	Filter cartridge 50 Mesh.
1+2	26000023	Filter cartridge 100 Mesh.
1+2	26000024	Filter cartridge 200 Mesh.
2	20200000	O-ring.
4+2	26000028	90° fitting inline minifilter.
5+2	26000029	Straight fitting inline minifilter.
6+2	26000030	45° fitting inline minifilter.



## DIMENSIONS



For more information speak with your Meler representative:

**meler**   
GLUING SOLUTIONS

### Head Office

Pol. Los Agustinos, c/G, nave D-43  
E-31160 Orcoyoen - Navarra - Spain  
Phone: +34 948 351 110  
Fax: +34 948 351 130  
email: info@meler.es

[www.meler.eu](http://www.meler.eu)

