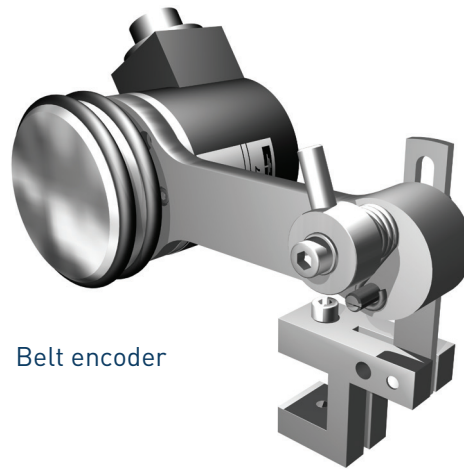


Shaft encoder



Belt encoder

incremental encoder

For speed readout in adhesive application programmers.

PRODUCT DESCRIPTION

Incremental encoder of 200, 400 or 1000 pulses per revolution for automatic production line speed readout, ensuring perfect adhesive application based on the distances of the selected format on the pattern controller.

Easy to install, with a tilting base, it can be mounted in a number of different positions. This guarantees perfect support, using the pressure of the spring, on the conveyor.

It can be adapted to the machine's transmission mechanism shaft with its flexible coupling.

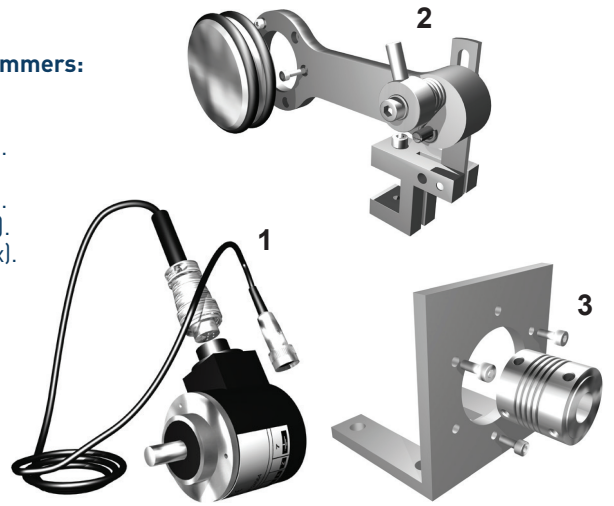
TECHNICAL FEATURES

Resolution (Pulsos/Rev.)	200, 400, 1000 (P/rev)
Voltage	24 Vdc
Max. switchable current	50 mA
Output configuration	NPN open collector
Max. frequency of use	Max. 100KHz $F = \frac{RPM \times Resolution}{60}$
Shaft diameter (mm)	Ø10 g6
Protection level	IP 64
Max. speed	6000 rpm
Shaft loads admitted	200N axial, 200N radial
Vibration	10G 10- 2000 Hz
Operating temperature	0- 60 °C

RANGE OF PRODUCTS

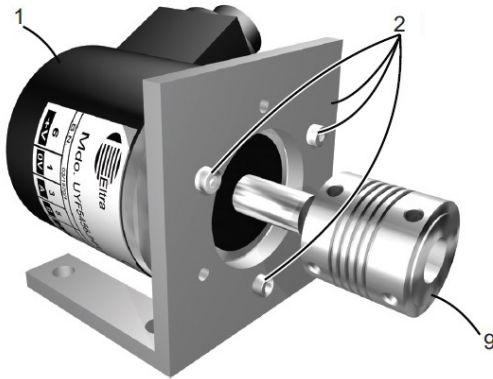
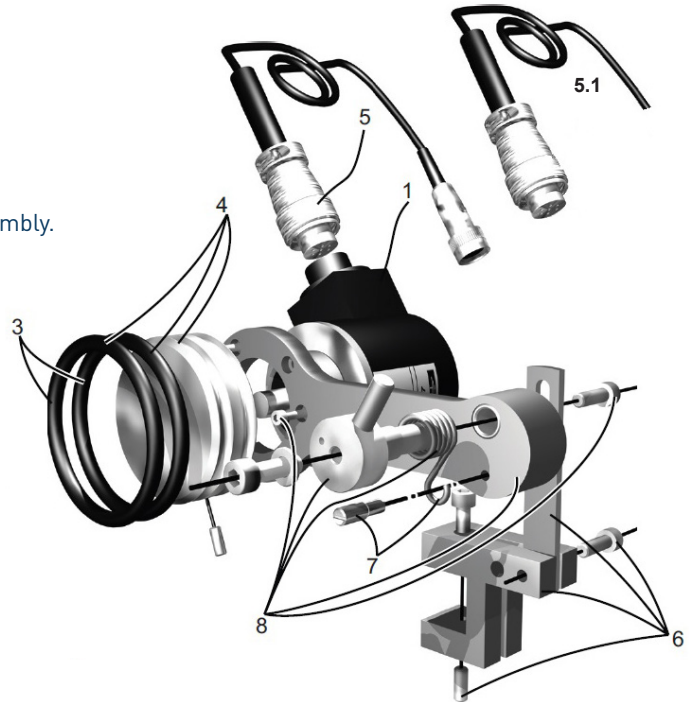
The incremental encoder can be used with Meler pc-star and simplex programmers:

1	25010007	Complete 200-pulse incremental encoder (pc star).
1	150030070	Complete 200-pulse incremental encoder (simplex).
1	25010008	Complete 400-pulse incremental encoder (pc star).
1	150030080	Complete 400-pulse incremental encoder (simplex).
1	25010009	Complete 1000-pulse incremental encoder (pc star).
1	150030090	Complete 1000-pulse incremental encoder (simplex).
2	25010010	Complete encoder conveyor support.
3	25010011	Complete encoder shaft support.



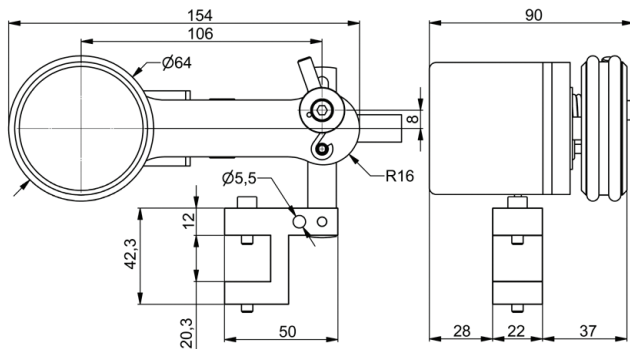
ACCESSORIES

1	25010012	200-pulse incremental encoder.
1	25010013	400-pulse incremental encoder.
1	25010014	1000-pulse incremental encoder.
2	25010015	Angular encoder shaft support.
3	25010016	Encoder wheel gasket coupling.
4	25010017	Encoder wheel.
5	25010018	Encoder connection cable for pc star.
5.1	150030150	Encoder connection cable for simplex.
6	25010019	Encoder support coupling flange.
7	25010020	Encoder stops and spring support assembly.
8	25010021	Encoder conveyor support.
9	25010022	Encoder flexible coupling.

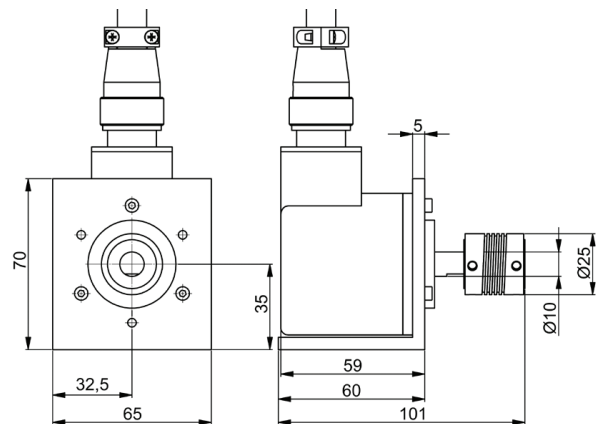


DIMENSIONS

Belt encoder



Shaft encoder



meler 
GLUING SOLUTIONS

Head Office
Pol. Los Agustinos, c/G, nave D-43
E-31160 Orcoyen - Navarra - Spain
Phone: +34 948 351 110
Fax: +34 948 351 130
email: info@meler.es

www.meler.eu



TÜVRheinland®
CERT
ISO 9001